

T700-MBLK Specifications



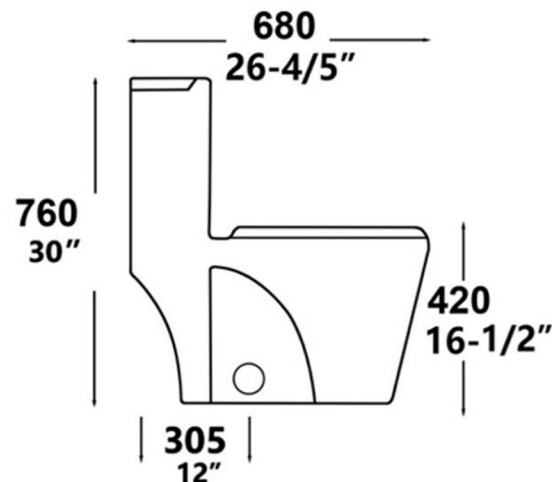
STRICTLY.
KITCHEN + BATH

The T700 elongated porcelain toilet combines sleek design with powerful performance. Finished in matte black, it features an integrated bowl and tank, soft-close seat and cover, and modern chrome flush buttons. Offering both soft and hard flush options with a top flush mechanism and siphonic trapway, it provides efficient, reliable operation. Measuring 30" high, 26-4/5" long, and 15-2/5" wide, with a comfortable 16-1/2" seat height, it's designed for both style and comfort. Built with durable porcelain and a sturdy 92.8 lb. weight, the T700-MBLK is a perfect blend of elegance, functionality, and lasting quality for any bathroom.



Dimensions:

Height: 30"
Length: 26-4/5"
Width: 15-2/5"
Bowl Height: 15-1/2"
Seat Height: 16-1/2"
Rough-In: 12"
Porcelain Thickness: 0.4 -0.8"
Waste Size: 2.2"
Supply Line Connection Size: 3/8" NPT
Net Weight: 92.8lbs.



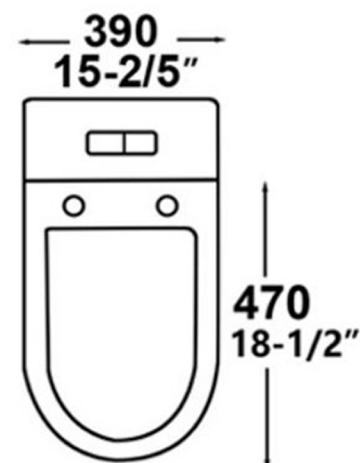
Characteristics & Features:

Design Style: Contemporary | Modern
Material: Porcelain
Shape: Elongated
Flush: Top Flush, Siphonic
Trapway: S Trap

Available Finish:

■ Matte Black (MBLK)

Soft Flush: Yes
Hard Flush: Yes
Soft Close Seat: Yes
Quick Disconnect Seat: Yes
Assembly: Assembled
Unit Type: One piece construction with integrated tank and bowl



Flush Flow: 2 Dual water flush
EPA GPF: 1.28
CUPC Certified: Yes
Watersense Certified: Yes
Seat Cover: Soft Close Plastic Seat Cover
Water Efficient: Yes

Additional Product Information:

ADA Compliant: No
Approved for Commercial Use: Yes
ASME Approved: Yes
CA Drought Compliant: Yes
CSA Approved: Yes
NSF Approved: Yes
Eco Friendly: Yes
Low Lead Compliant: Yes

