

# R21-ADA Specifications



## STRICTLY

KITCHEN + BATH

16 gauge stainless steel sink which features R10 radius corners and a 5 1/2" depth. The overall measurements of the sink are 23" x 18" x 5 1/2". It's fully insulated and covered in rubber deadening for sound reduction. The brushed stainless finish is smooth and resilient against wear.



**Installation Type:** Undermount

**Material:** T304 Stainless Steel

**Finish:** Brushed

**Gauge:** 16 Gauge

**Sound Deadening:** All Sides + Bottom

**Number of Bowls:** 1

**Overall Dimensions:** 23" x 18" x 5 1/2"

**Inside Dimensions:** 21" x 16" x 5 1/2"

**Depth:** 5 1/2" **Height:** 5 1/2"

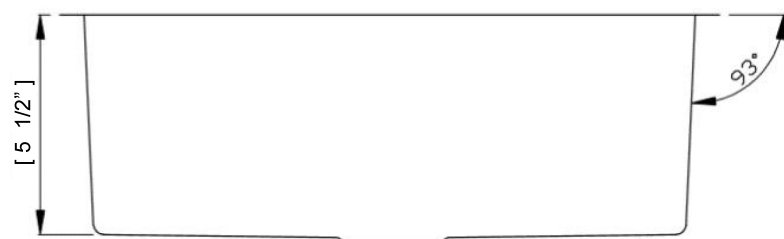
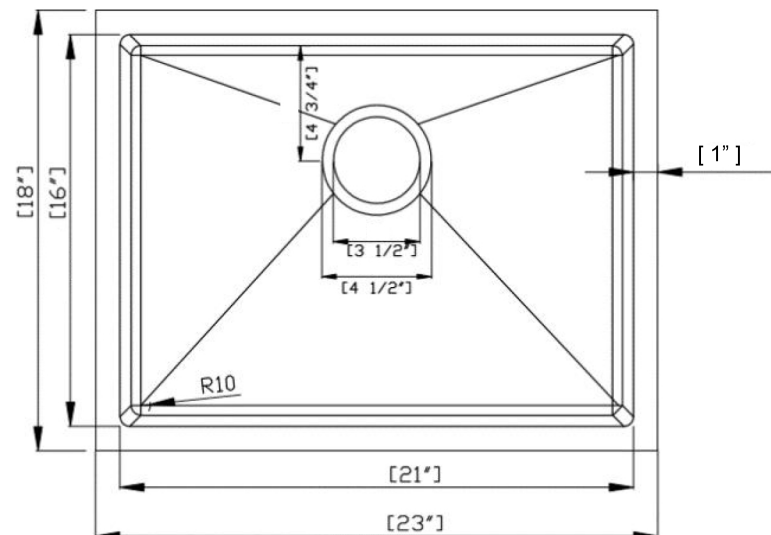
**Drain Size:** 3-1/2"

**Drain Location:** (Off-Center)

**Minimum Cabinet Size:** 24" ≥ (27" Rec.)

**Mounting Hardware:** Available

**Cut-out Template:** Available



Products are in compliance with the following standard(s):

ASME A112.19.3-2008/CSA B45.4-08 (R2013) including Update No. 2 dated March 2011