

TMR2522WS Specifications



Stainless steel kitchen sink which features a resilient finish available in 4 colors and tight radius corners with a 9" depth. The overall measurements of the sink are 25" x 22" x 9". It's also fully insulated and covered in rubber deadening for sound reduction. Additionally, it can be purchased with matching accessories.



Installation Type: Dual Mount

Material: T304 Stainless Steel

Gauge: 16 Gauge

Sound Deadening: Entire Underbody

Bowls: 1 | **Faucet Holes:** 3

Overall Dimensions: 25" x 22" x 9"

Basin Dimensions: 23" x 17-3/4" x 9"

Depth: 9" | **Drain Size:** 3-1/2"

Drain Location: Off-Center

Minimum Cabinet Size: 27" ≥

Mounting Hardware: Included

Cut-out Template: Included



Stainless Steel



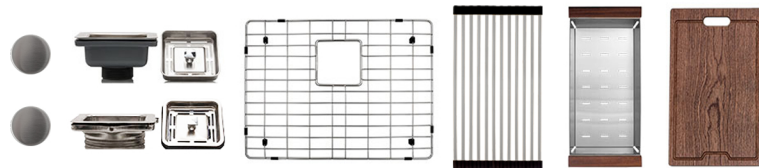
Gold Stainless Steel



Black Stainless Steel

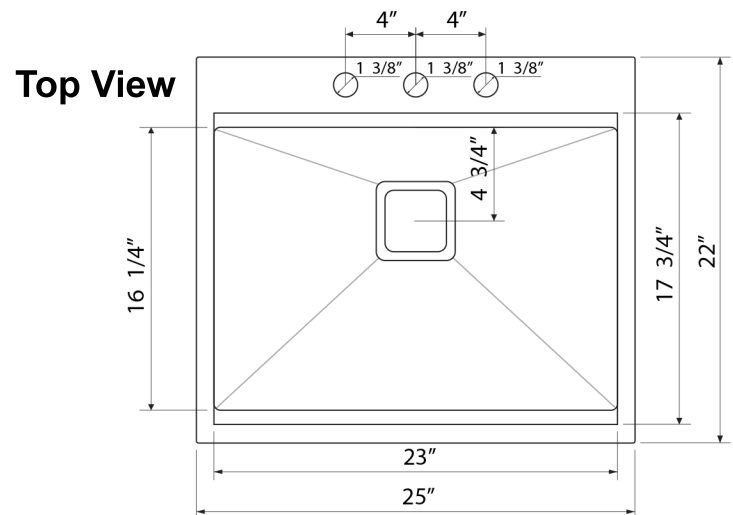


Copper Stainless Steel

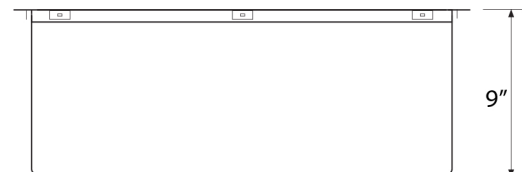


Kit Includes:

2 Faucet Hole Covers, Square Drain, Square Disposal Flange, Sink Grid, Roll-Up Drying Rack, Colander, and Wood Cutting Board



Side View



Products are in compliance with the following standard(s):

ASME A112.19.3-2008/CSA B45.4-08 (R2013) including Update No. 2 dated March 2011