

# R5151R Specifications



Extra large double bowl kitchen sink which features a resilient satin finish available in 16 or 18 gauge. Easy clean radius corners with a 10" depth. Overall measurements of the sink are 32" x 19" x 10" It's also fully insulated and covered in rubber deadening for sound reduction. This sink is larger than most

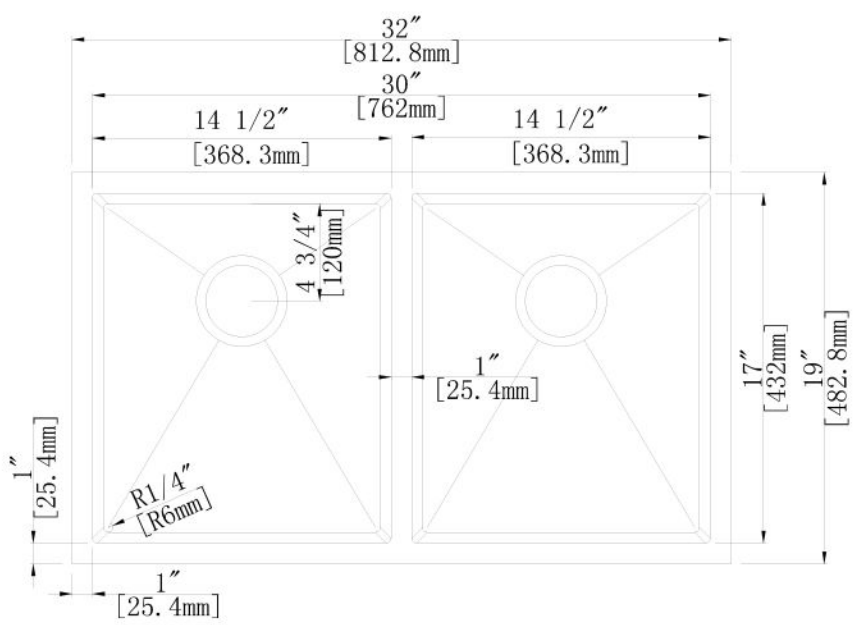


- Installation Type:** Undermount
- Material:** T304 Stainless Steel
- Gauge:** 16 Gauge or 18 Gauge
- Sound Deadening:** Entire Underbody
- Bowls:** 2

- Overall Dimensions:** 32" x 19" x 10"
- Inside Dimensions:** 30" x 17" x 10"
- Bowl(s) Dimensions:** 14-1/2" x 17" x 10"
- Depth:** 10" | **Drain Size:** 3-1/2"

- Drain Location:** Off-Center
- Minimum Cabinet Size:** 33" ≥
- Mounting Hardware:** Included
- Cut-out Template:** Included

Top View



Products are in compliance with the following standard(s):

ASME A112.19.3-2008/CSA B45.4-08 (R2013) including Update No. 2 dated March 2011