

N21WS Specifications



STRICTLY
KITCHEN + BATH

Stainless steel kitchen sink which features a resilient finish available in 4 colors and tight radius corners with a 9" depth. The overall measurements of the sink are 23" x 19-1/2" x 9". It's also fully insulated and covered in rubber deadening for sound reduction.



Installation Type: Undermount

Material: T304 Stainless Steel

Gauge: 16 Gauge

Sound Deadening: Entire Underbody

Bowls: 1

Overall Dimensions: 23" x 19-1/2" x 9"

Basin Dimensions: 21" x 17-1/2" x 9"

Depth: 9" | **Drain Size:** 3-1/2"

Drain Location: Off-Center

Minimum Cabinet Size: 24" ≥

Mounting Hardware: Included

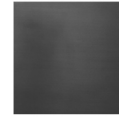
Cut-out Template: Included



Stainless Steel



Gold Stainless Steel

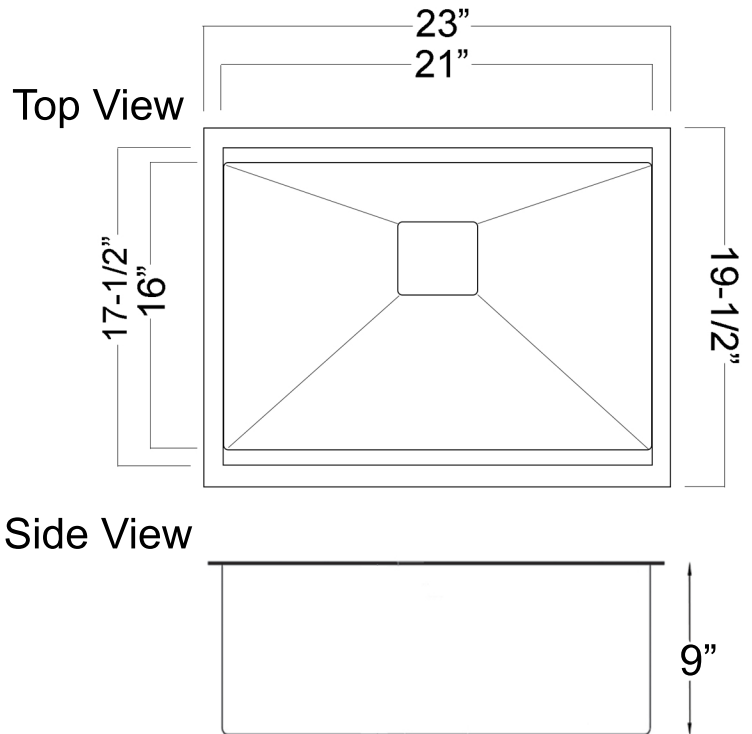
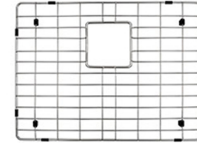


Black Stainless Steel



Copper Stainless Steel

Standard Kit Includes: Strainer Drain Disposal Flange, Grid, Colander, Wood Cutting Board



Products are in compliance with the following standard(s):

ASME A112.19.3-2008/CSA B45.4-08 (R2013) including Update No. 2 dated March 2011