

KF900 Specifications



STRICTLY.

KITCHEN + BATH

The KF910 kitchen faucet blends modern design with dependable performance, making it a stylish and practical choice for any kitchen. Available in brushed nickel and matte black, it stands 16-5/32" tall with a spout reach of 8-3/4" and a spout height of 8-7/64". Equipped with both spray and stream functions, the KF910 offers versatility and ease of use. Built to last and designed to impress, this faucet brings elegance and efficiency to your everyday kitchen tasks.



Dimensions:

- Height:** 16-5/32"
- Length:** 10"
- Width:** 2-3/64"
- Spout Reach CC:** 8-3/4"
- Spout Height:** 8-7/64"
- Handle Height:** 5-5/8"
- Water Lines Length:** 24"
- Supply Line Connection Size:** 3/8"
- Faucet Hole Size:** 1-3/8"

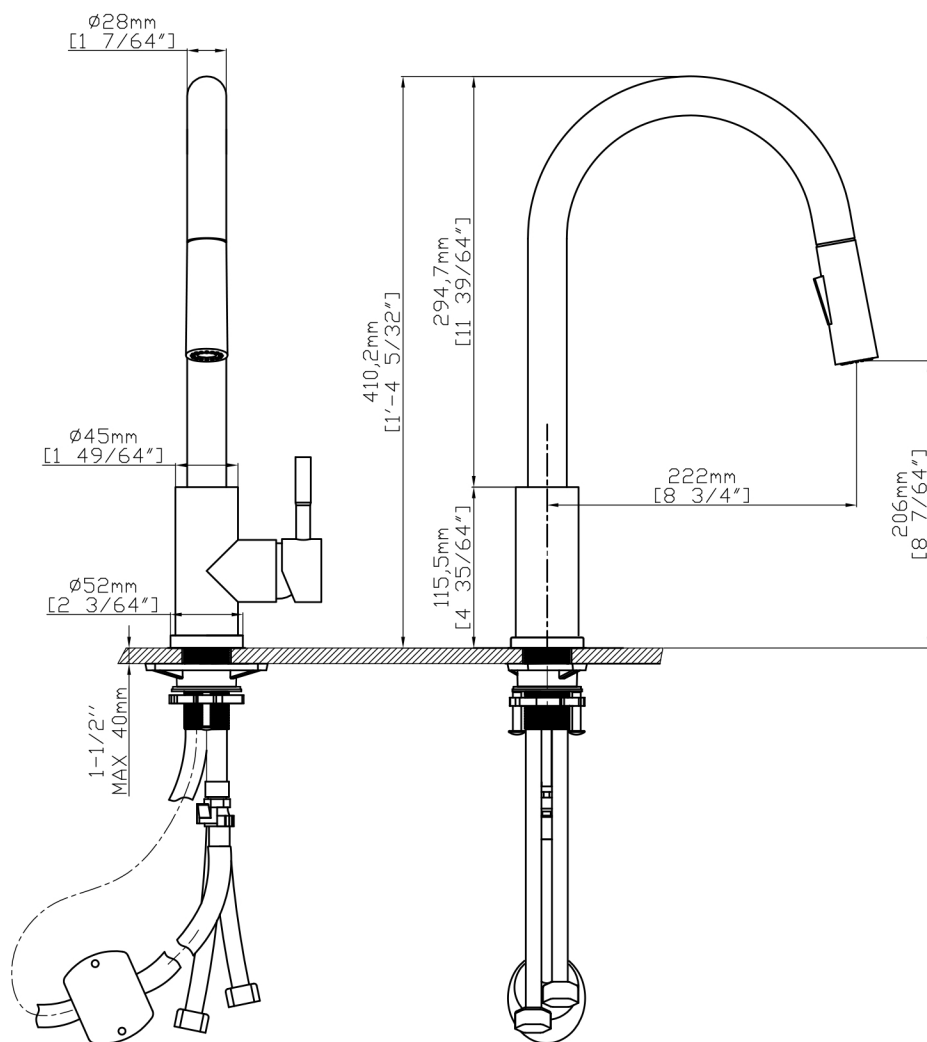
Characteristics & Features:

- Design Style:** Contemporary | Modern
- Material:** Metal (Solid Brass)

Available Finishes:

- Brushed Nickel (BN)
- Matte Black (MBLK)

- Faucet Style:** Pull-Down
- Faucet Handle(s):** Single Handle
- Faucet Installation Hole(s):** Single Hole
- Assembly:** Assembled
- Faucet Mount Style:** Deck Mount
- Matching Faucet Deck Mount Plate:** No
- Flow Rate:** 1.8 GPM at 60PSI
- Valve Type:** Ceramic Disc
- Handle Style:** Lever (Disc)
- Handle Material:** Metal
- Connection Type:** Compression
- Towel Bar:** No
- Water Efficient:** Yes
- Quick Connect:** Yes
- Pull Down Spray:** Yes
- Pull Down Stream:** Yes
- Touch / Touchless:** No
- Hot and Cold Indicators:** Yes
- 360 Degrees Swivel Spout:** Yes
- Warranty:** 1 Year
- Drain Included:** No



Additional Product Information:

- ADA Compliant:** Yes
- Approved for Commercial Use:** Yes
- ASME Approved:** Yes
- CA Drought Compliant:** Yes
- CSA Approved:** Yes
- NSF Approved:** Yes
- Eco Friendly:** Yes
- Low Lead Compliant:** Yes

