



FEATURES

- Made from 80% quartz, only diamond is harder
- Durable; highly resistant to scratches and stains
- Non-porous surface, easy-to-clean
- Extremely hygienic, does not absorb bacteria
- Heat resistant to +500°F
- Dual-Mount installation (clips for topmount installation are pre-installed)
- PerfectFit drains for easy cleaning

STANDARDS

- Complies with ANSI Z124.6-2007
- Complies with EN 13310:2003

INCLUDED ACCESSORIES

- Custom Fit Sink Grid
- Cutting Board
- Roll-up Utility Mat
- Color Matched Strainer Basket
- Color Matched Disposal Flange*

SUPPORT DOCUMENTS

- Installation instructions available online
- Maintenance & cleaning information available online
- Warranty information available online

WARRANTY

Limited Lifetime - Residential

CARE AND CLEANING INSTRUCTIONS

Clean using warm water and a clean soft cloth, sponge or Mr. Clean® Magic Eraser®. Non-abrasive cleaners such as Bar Keepers Friend® or Soft Scrub® and detergents can also be used. Hard water, calcium and lime deposits can be removed with a 1:1 water and white vinegar solution and rinsing after 20 minutes. To restore color luster and extend the time between cleanings apply mineral oil or a commercial product such as Weiman® Granite Cleaner & Polish. Staining liquids such as wine, juice, and dyes should be rinsed off as soon as possible. Do not use abrasive cleaners, metal-scouring pads, bleach, ammonia, or other alkali cleaners.

Undermount clips sold separately.

DXF cutout templates are available online. * Fits most InSinkErator™ disposals



AVAILABLE COLORS

Shown in Concrete



Black



Mocha



Concrete



White



Beige

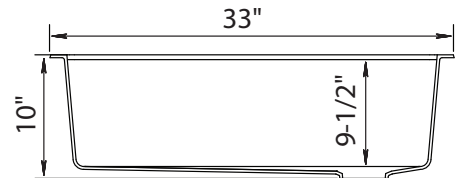
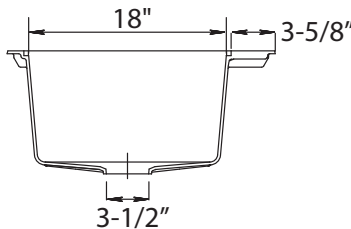
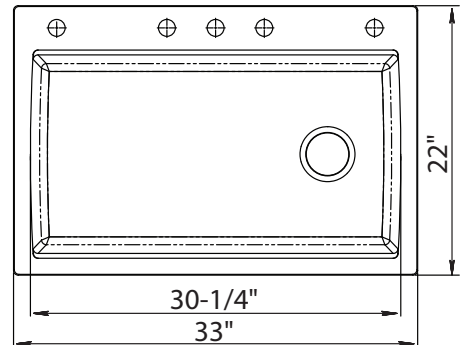
DIMENSIONS

Specifications and dimensions are not guaranteed and are subject to change without notice.

OVERALL
33" X 22"

BOWL
DEPTH
9-1/2"

DRAIN
DIAMETER
3-1/2"



JOB INFORMATION

Job Name _____

Contact _____

Date Specified: _____

Specifier: _____

Contractor: _____