

Introduction

Thank you for purchasing our faucet. The faucet you have purchased is crafted out of the highest quality nickel, brass and stainless steel. Each and every faucet was tested and carefully inspected by hand before delivering to our retailers.

Please read the instructions carefully to prevent any malfunction and damages to your plumbing and property.

Tools

The tools below are required to complete the installation. Some may not be needed depending on the model of the faucet that you are installing. For additional information, check with your local hardware store on the requirements for your installation.



Philips Screwdriver



Thread Seal Tape



Flashlight



Pliers



Adjustable Wrench



Safety Glasses

Specification

1. Turn off all water supply lines and drainage lines.
2. Clean the installation area thoroughly and remove any excess debris.

DESCRIPTION

- Flexible supply lines with 3/8" or 9/16" compression fittings

FLOW

Single-Handle Lavatory Faucet:

- North America: 1.5 gpm max (5.7L/min) at 60psi
- California: 1.2 gpm max (4.5L/min) at 60psi

Kitchen Faucet:

- North America: 1.8 gpm max (6.8L/min) at 60psi
- California: 1.8 gpm max (6.8L/min) at 60psi



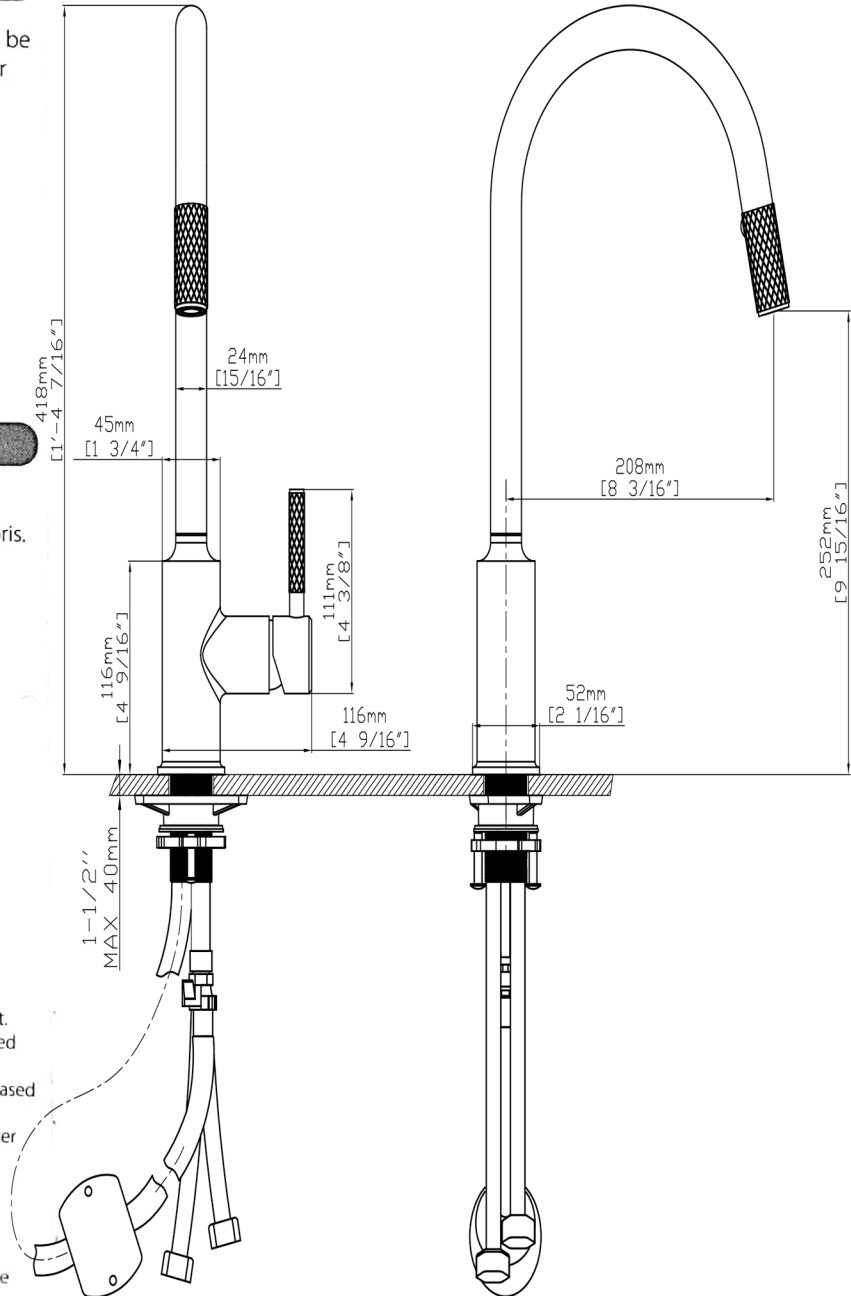
Warranty

Notes before installation :

1. Please check that all components are present.
2. Before installation ensure that all feed lines are clear of debris and on/off valve is present.
3. Ensure water pressure is between 20-125 PSI (includes combination of hot and cold feed lines).
4. Pictures in the manual are general in content and may not represent exactly your purchased faucet. If you are having difficulties please contact a professional plumber.
5. If you will be away from home for an extended period you should shut off the main water supply.

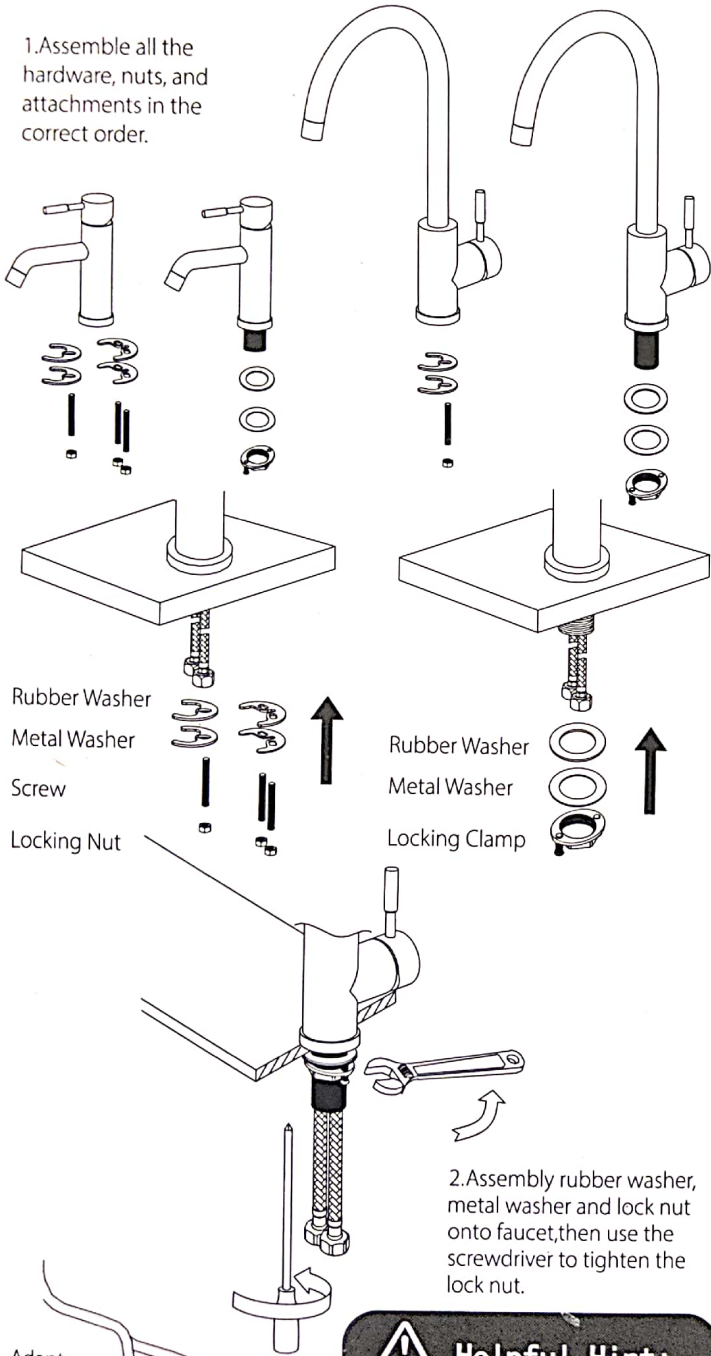
Daily maintenance

1. Use a soft cloth and vinegar to remove hard-water spots.
2. Check aerator (if present) regularly for calcium build up are when water stream is not optimum.
3. DO NOT use caustic cleaning products as the use will break down finish and will void the product warranty.
4. Acceptable cleaners include vinegar or mild non-abrasive liquid detergents.
5. If the water pressure appears to be less than optimum remove, inspect, clean or replace aerator.



Single Hole Mounting

1. Assemble all the hardware, nuts, and attachments in the correct order.

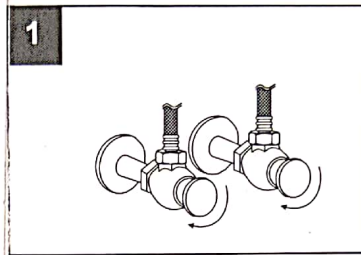


3. If the product hose thread does not match, an additional adapter is required.

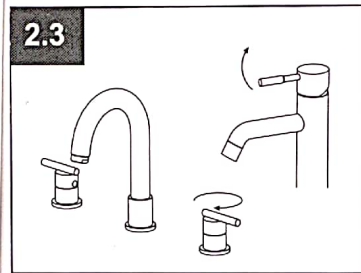
Helpful Hint:
Always use the supplied rubber washers on water supply connectors to prevent leaking. Also, always use an adequate amount of plumber's putty or thread sealing tape to prevent connectors from leaking.

2. Assembly rubber washer, metal washer and lock nut onto faucet, then use the screwdriver to tighten the lock nut.

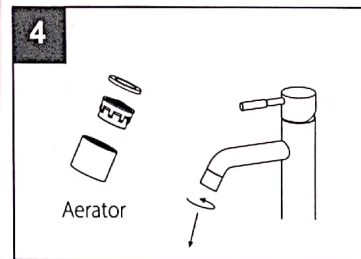
Testing



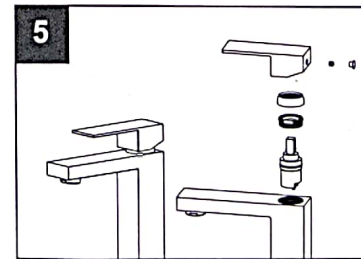
1. Turn on water supplies and check all connections for leaks. If there are leaks, turn off water supplies and check to see if proper washers were used along with proper thread sealing tape.



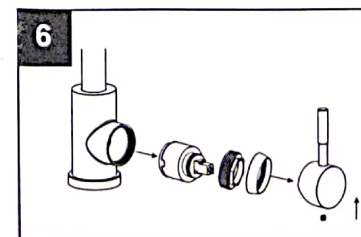
2. Turn handles up and down or left and right (where applicable) and test both cold and hot water connections.
3. For models with dual spray selection, make sure to test both types of spraying thoroughly.



4. Remove aerator and let both cold and hot water run for one minute. This will remove any debris in the system that might otherwise clog the aerator.



5. Find and remove the concealer cap to expose a hex screw. The concealer cap may sometimes look like a H/C cap. Then remove the hex screw to distach the handle.



6. Use a pair of pliers to remove the cartridge by gently pulling upwards. Sometimes there is a metal ring that needs to be removed before the cartridge can be removed.