

R28R Specifications



This 30" x 18" x 9" kitchen sink is constructed from premium T304 stainless steel and is available in both 16- and 18-gauge options for long-term durability and corrosion resistance. It features an off-center drain and a fully insulated, sound deadened underside to help reduce noise during use. The clean, modern finish integrates easily into a wide range of kitchen designs.



*Basket Strainer Drain Sold Separate

Installation Type: Undermount

Available in:

-  Stainless Steel
-  Gold Stainless Steel
-  Black Stainless Steel
-  Copper Stainless Steel

Material: T304 Stainless Steel

Finish: Brushed

Gauge: 18 Gauge | 16 Gauge

Sound Deadening: Entire Underbody

Bowls: 1

Overall Dimensions: 30" x 18" x 9"

Inside Dimensions: 28" x 16" x 9"

Depth: 9" | **Drain Size:** 3-1/2"

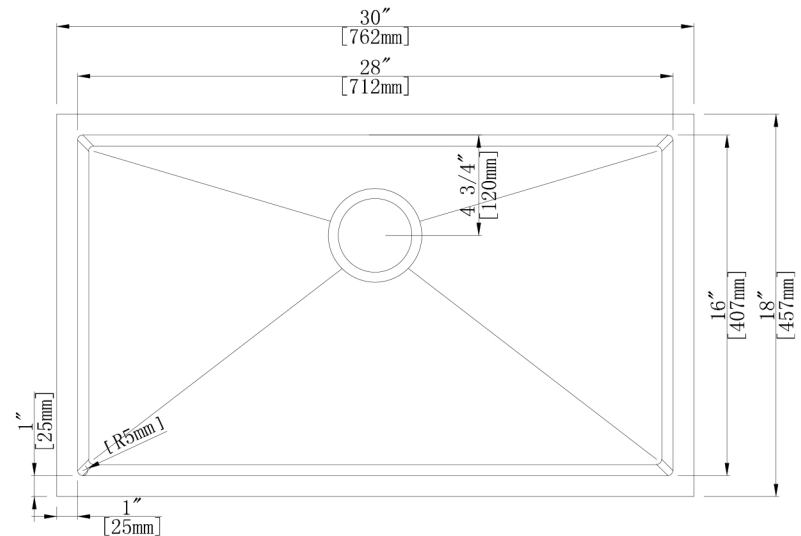
Drain Location: Off-Center

Minimum Cabinet Size: 30" ≥

Mounting Hardware: Included

Cut-out Template: Included

Top View



Side View



Products are in compliance with the following standard(s):

ASME A112.19.3-2008/CSA B45.4-08 (R2013) including Update No. 2 dated March 2011