



# STRICTLY

KITCHEN + BATH

## SINK SPECIFICATIONS

Strictly Quartz Collection

**Q6040S**

### FEATURES

- Made from 80% quartz, only diamond is harder
- Durable; highly resistant to scratches and stains
- Non-porous surface, easy-to-clean
- Extremely hygienic, does not absorb bacteria Heat resistant to +500°F
- True undermount design, can also be topmounted
- PerfectFit drains for easy cleaning

### STANDARDS

- Complies with ANSI Z124.6-2007
- Complies with EN 13310:2003

### OPTIONAL ACCESSORIES

- Sink Grids
- Color Matched Strainer Basket
- Color Matched Disposal Flange\*

### SUPPORT DOCUMENTS

- Installation instructions available online
- Maintenance & cleaning information available online
- Warranty information available online

### WARRANTY

Limited Lifetime - Residential

### CARE AND CLEANING INSTRUCTIONS

Clean using warm water and a clean soft cloth, sponge or Mr. Clean® Magic Eraser®. Non-abrasive cleaners such as Bar Keepers Friend® or Soft Scrub® and detergents can also be used. Hard water, calcium and lime deposits can be removed with a 1:1 water and white vinegar solution and rinsing after 20 minutes. To restore color luster and extend the time between cleanings apply mineral oil or a commercial product such as Weiman® Granite Cleaner & Polish. Staining liquids such as wine, juice, and dyes should be rinsed off as soon as possible. Do not use abrasive cleaners, metal-scouring pads, bleach, ammonia, or other alkali cleaners.

Undermount clips sold separately.

DXF cutout templates are available online. \* Fits most InSinkErator™ disposals



### AVAILABLE COLORS

Shown in Beige



Black (K)



Mocha (M)



Concrete (C)



White (W)



Beige (B)

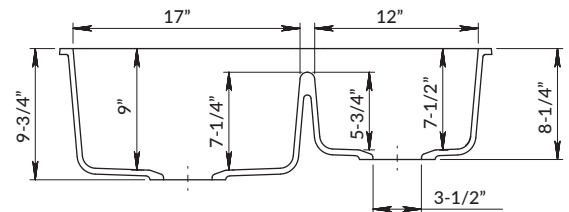
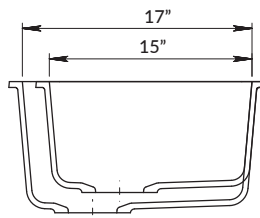
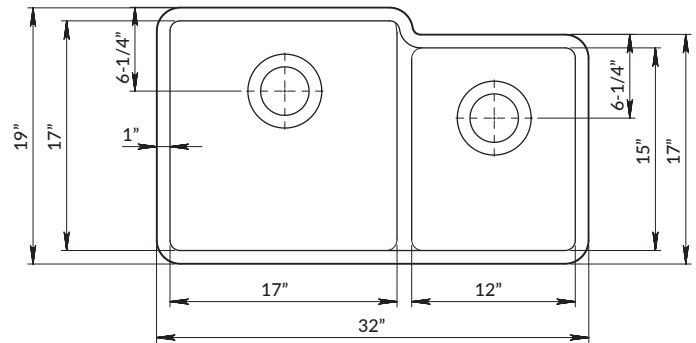
### DIMENSIONS

Specifications and dimensions are not guaranteed and are subject to change without notice.

OVERALL  
32" x 19"

BOWL  
DEPTH  
9" | 7-1/2"

DRAIN  
DIAMETER  
3-1/2"



### JOB INFORMATION

Job Name: \_\_\_\_\_

Contact: \_\_\_\_\_

Date Specified: \_\_\_\_\_

Specifier: \_\_\_\_\_

Contractor: \_\_\_\_\_