

### CAUTION: Maintenance

1. Replacement parts may be available at the store where you purchased your faucet.
2. Always turn off water and relieve pressure before working on your faucet.

### NOTES: Cleaning Instructions

1. To keep the faucet clean, you should clean the faucet frequently and regularly.
2. Clean the faucet with clear water or mild liquid, rinse the faucet with clear water and then dry the faucet with soft cotton cloths.
3. Do not use any abrasive cleansers, cloths, or paper towel.
4. Do not use any acid or abrasive detergent.

### TROUBLE-SHOOTING

If you've followed the instruction carefully and your faucet still does not work properly, take these corrective steps.

Problem	Cause	Action
Leaks underneath handle.	Cartridge has come loose.	Tighten the cartridge.
Aerator leaks or has an inconsistent water flow pattern.	Aerator is dirty or worn out or misfitted.	Unscrew the aerator to clean or replace washer, or replace the aerator.
Water will not shut off completely.	Dirty or worn out washer in cartridge.	Remove handle and cartridge to check if the washer is damaged permanently or dirty. Re-install cartridge.

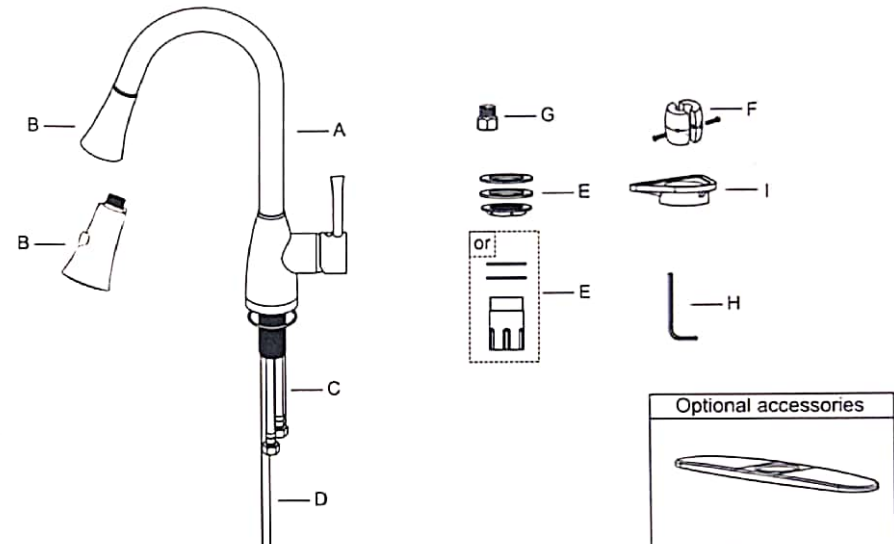
## Pull-down Kitchen Faucet

96455

### PACKING LIST

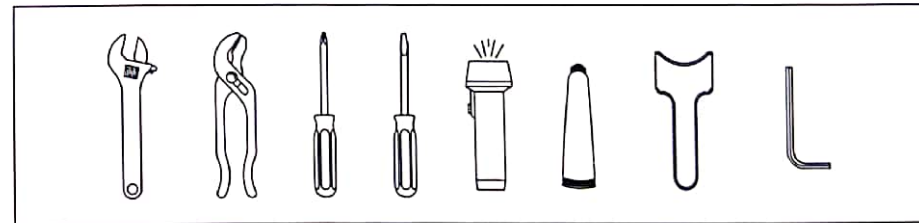
After you open this package, please check to ensure that all of the following items are included.

- A- Faucet B- Spray head C-Flexible hoses(2) D-Pull down hose E-Mounting nut + Washer  
F- Weight(1) + Screw(2) G- Adaptor + Check valve H- Allen wrench I- Support

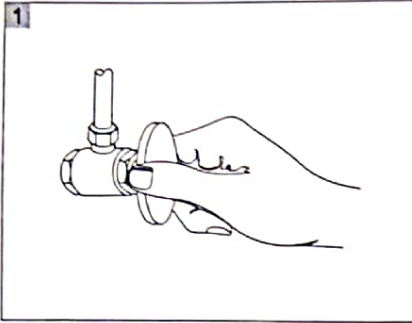


**IMPORTANT NOTICES:** For easy installation, please read all the instruction completely before beginning. Before installing this product, make sure that water line trash is cleared to avoid blockage.

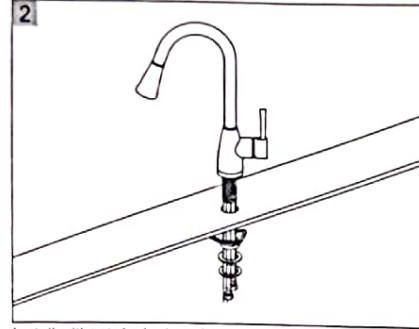
### YOU MAY NEED



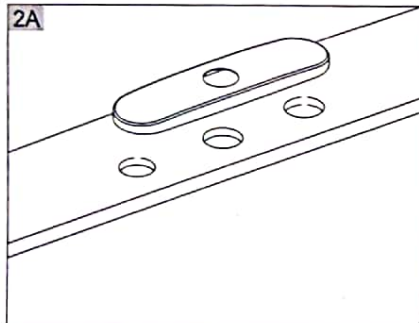
## INSTALLATION PROCEDURES



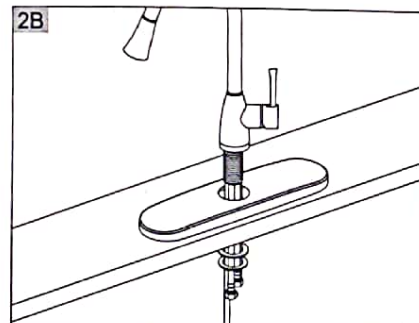
1 You should clean all the dirt from valve outlets. Turning off the water supply valves. This is usually found near the water meter. If you are replacing an existing faucet, remove the faucet from the sink and clean the sink surface thoroughly.



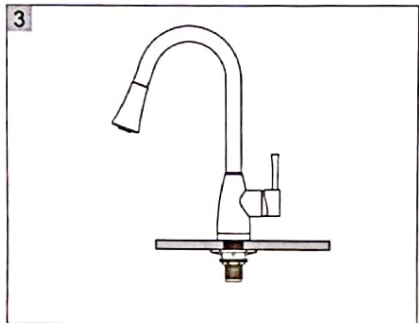
2 Install without deck plate. Make sure the O-ring is placed onto the bottom of Base Ring. Install faucet through hole in sink. From underside sink, put plastic washer and mounting nut. Position faucet on sink properly and tighten mounting nut.



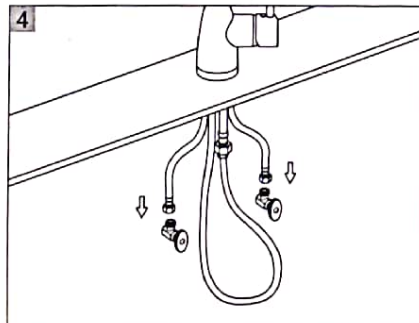
2A Install with deck plate. Place a bead of plumber's putty between faucet and sink. Place deck plate over the three holes of sink. From underside sink, tighten wing nut.



2B Make sure the O-ring is placed onto the bottom of base ring. Install faucet through deck plate. From underside sink, put plastic washer and mounting nut. Position faucet on sink properly and tighten mounting nut.

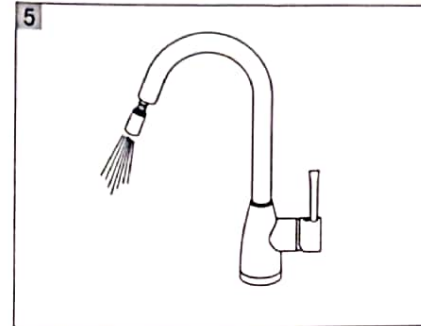


3 If necessary, tighten screws using an adjustable wrench until the faucet is firmly connected to the sink.

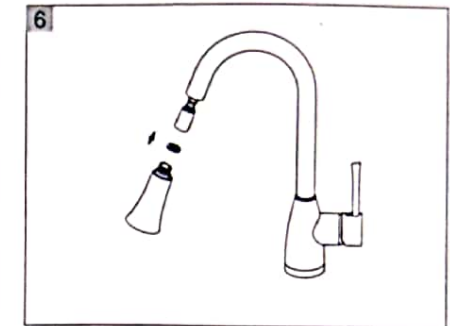


4 Connect hot and cold water supply lines to the water supply valves.

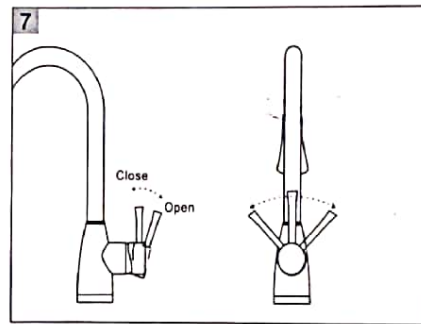
2



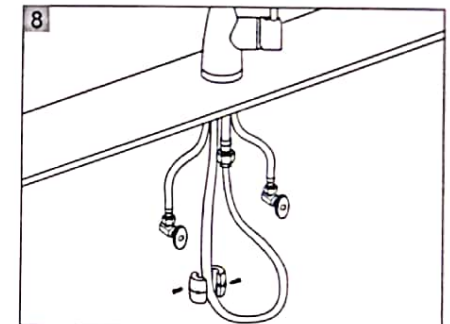
5 After installation is complete, remove Spray head and rotate handle to the close position. Turn Water Supply Valves on, and check all connections for leak. Flush faucet by running hot and cold water in full position for one minute.



6 Replace Spray head.

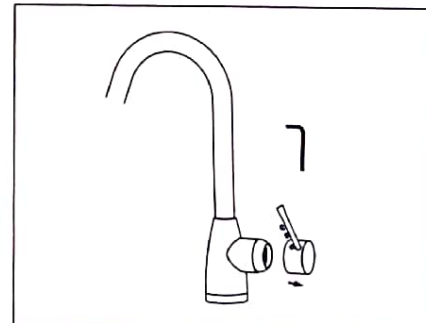


7 Open the valve, then turn the handle according to the sign of C and H on the handle to regulate the temperature of the water. (C=Cold, H=Hot)



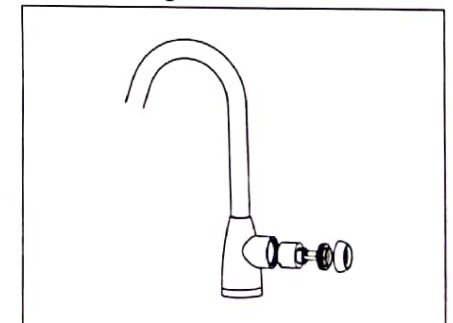
8 Attach Weights to the pull-out hose using screws at the proper point of the hose. Be noted Weights are optional.

### Handle Removal Maintenance



Turn off water and relieve pressure! Detach handle button using a small flathead screwdriver, unscrew set screw using Allen Wrench and take off handle.

### Valve Cartridge Removal Maintenance



Remove handles. Unscrew dome cap counter clockwise by hand. Unscrew retaining nut using adjustable wrench, take out cartridge assembly and inspect. Replace parts as necessary. Reassemble parts by reversing steps.

3