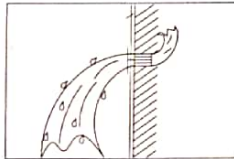


# 1. Installation Attention

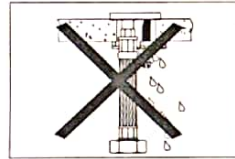
1. Open the product packing; check for all the accessories according to the accessories list. If you lack any accessories, please contact your local supplier.
2. The cartridge is the main body it has been tested and adjusted in the factory, do not remove it or take it apart.
3. Before installing your new mixer, flush through the supply pipes to ensure the removal of debris to avoid and prevent clogs.
4. After installing, check the supply pipes to avoid any leakage.
5. Inlet water pressure:  $0.05\text{Mpa} < \text{inlet water pressure} < 0.75\text{Mpa}$  (including cold water pressure).



Do not take the faucet apart



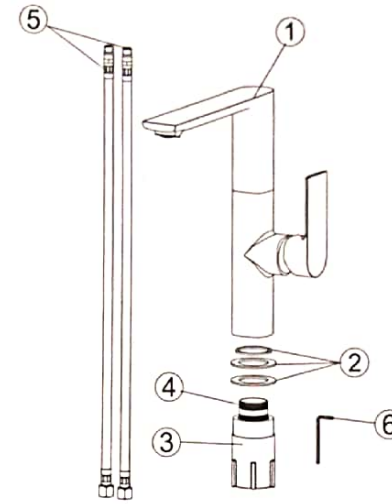
Keep the supply pipes unblocked



No leakage in the connection

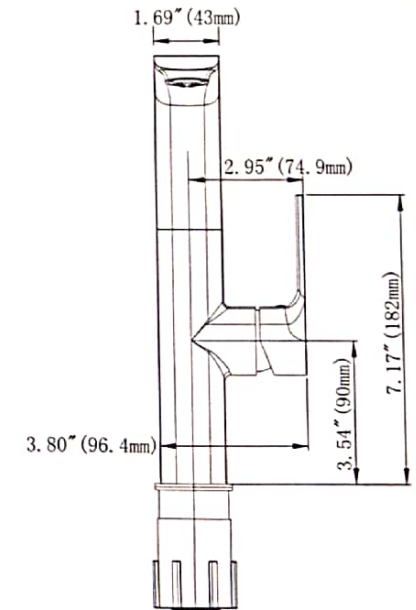
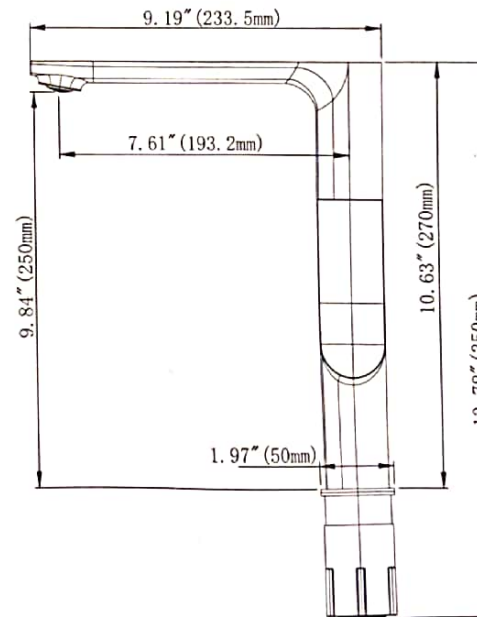
Note: We have been enhancing our products quality by constantly improving the design and performance of our products. We reserve the right to change specifications, product descriptions, product quality, pricing and application at any time without prior written or oral notice.

# 2. Accessories list



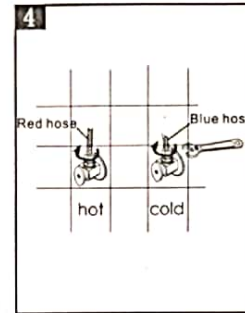
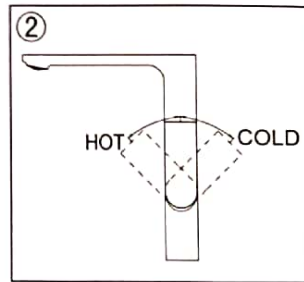
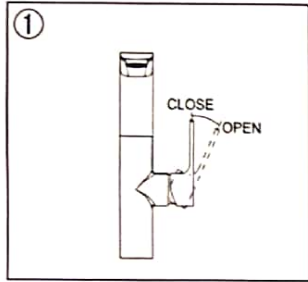
6	Allen key
5	Hose
4	Shank
3	Locking Nut
2	Gasket
1	Body
ITEM	DESCRIPTION

# 3. Dimension drawing

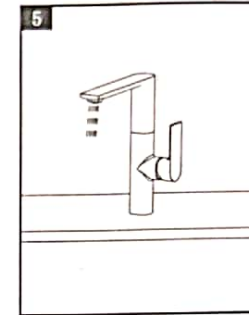


## 4. Instruction

1. Pull the handle rightward in horizontal to turn on the mixer , Leftward in horizontal line to turn off.
2. Move the hand left to control the hot water, Move the hand right to control the cold water.

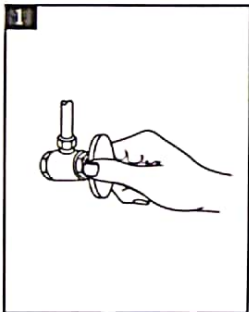


Check the flexible hoses to make it clean and connect them to the water-supplying valve (left to hot water and right to cold).

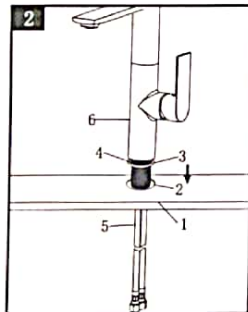


Check every joint to make sure if has been connected on the water to check the leakage.

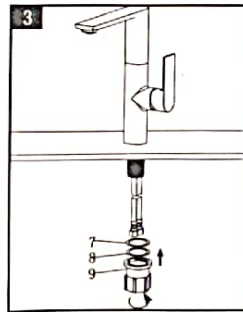
## 5. Installation steps



You should clean all the dirt from valve outlets. Turning off the water supply valves. This is usually found near the water meter. If you are replacing an existing faucet, remove the faucet from the sink and clean the sink surface thoroughly.



Drill a  $\varnothing 33\text{-}\varnothing 35\text{mm}$  hole (2) in sink (1). Install the thread tube (4) and inlet flexible hoses (5) into the faucet body (6) and screw them firmly put square rubber washer (3) into base groove and then insert the assembly through the hole (2).



Position and put on the rubber (7) and metal washers (8) and lock nut (9), wrench them up tightly.

Warranty: This warranty cover faucets only for a one year period. Proof of purchase must accompany all warranty claims. Warranty will provide the parts necessary to put the faucet back in good working condition only, **excluding labor charges.**