

R100 Specifications



STRICTLY

KITCHEN + BATH

16 or 18 gauge stainless steel single bowl sink which features drawn radius corners and a 9" depth. The overall measurements of the sink are 31-1/2" x 18" x 9". It's fully insulated and covered in rubber deadening for sound reduction. The brushed stainless finish is smooth and resilient against wear.

Installation Type: Undermount

Material: T304 Stainless Steel

Finish: Brushed

Gauge: 16 or 18 Gauge

Sound Deadening: All Sides + Bottom

Number of Bowls: 1

Overall Dimensions: 32-5/16" x 18-1/2" x 9"

Inside Dimensions: 30-5/16" x 16-9/16" x 9"

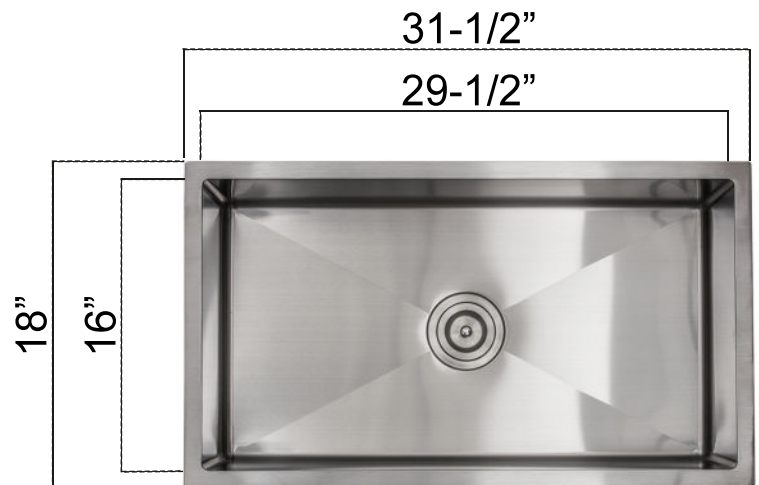
Drain Size: 3-1/2"

Drain Location: Center

Minimum Cabinet Size: 33" ≥

Mounting Hardware: Available

Cut-out Template: Available



Products are in compliance with the following standard(s):

ASME A112.19.3-2008/CSA B45.4-08 (R2013) including Update No. 2 dated March 2011